

EDWARDS MODEL 300 PUMPS

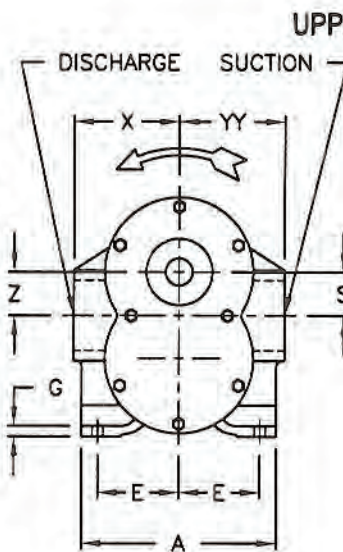
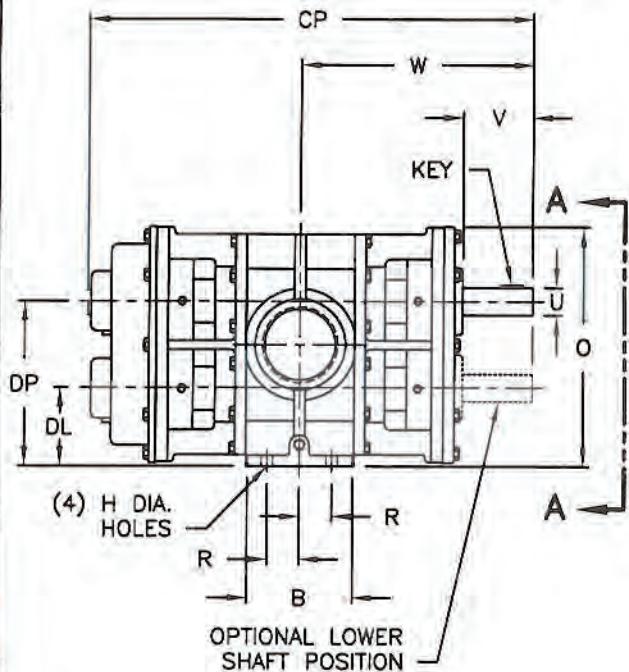
ROTARY GEAR PUMPS
PUMP ONLY

SECTION 300 PAGE 201

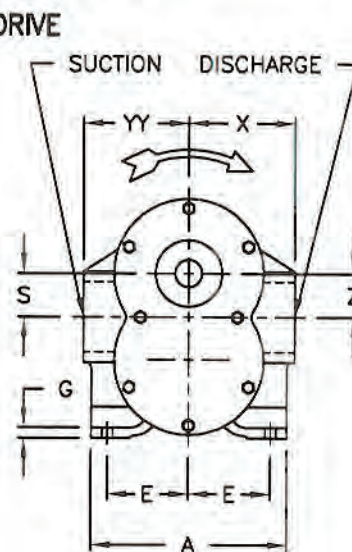
DATED APRIL 2009

SUPERSEDES PAGE 201

DATED MAY 2005



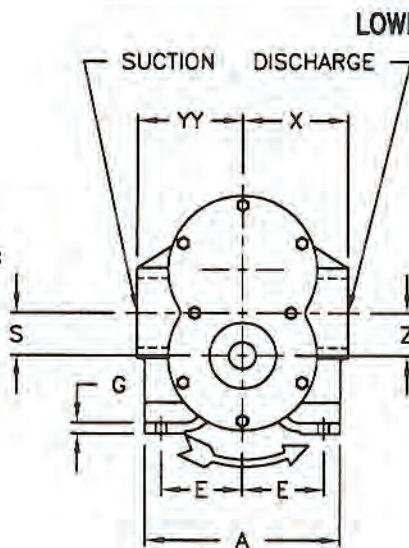
VIEW A-A
LEFT HAND
ROTATION



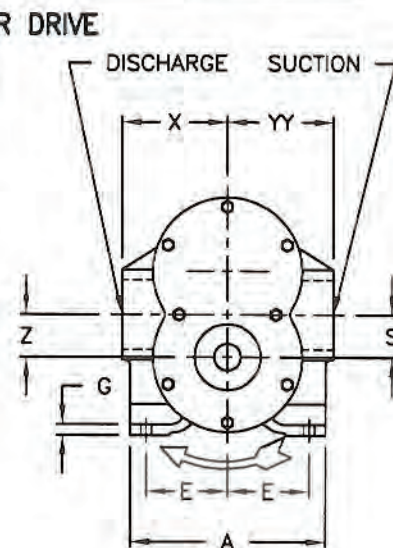
VIEW A-A
RIGHT HAND
ROTATION

NOTES:

- All dimensions are in inches (mm).
- Dimensions may vary $\pm .25"$ (6).
- Not for construction purposes unless certified.
- Discharge and suction ports are:
F-NPT (Female pipe threads)
- Use the following notation for pump identification:
UR = UPPER SHAFT - RIGHT HAND ROTATION
UL = UPPER SHAFT - LEFT HAND ROTATION
LR = LOWER SHAFT - RIGHT HAND ROTATION
LL = LOWER SHAFT - LEFT HAND ROTATION
- ALL 300 MODELS EXCEPT MODEL 300-388.



VIEW A-A
LEFT HAND
ROTATION



VIEW A-A
RIGHT HAND
ROTATION

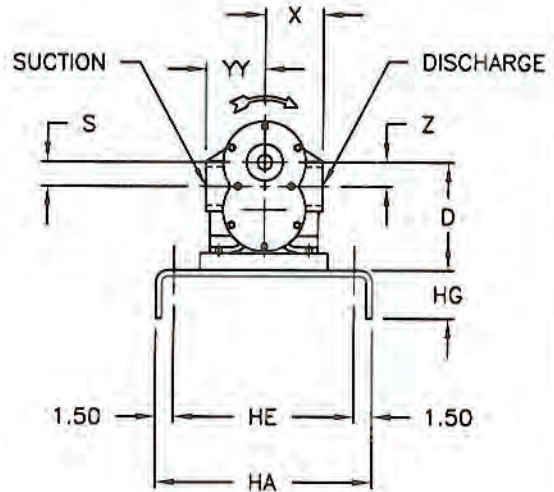
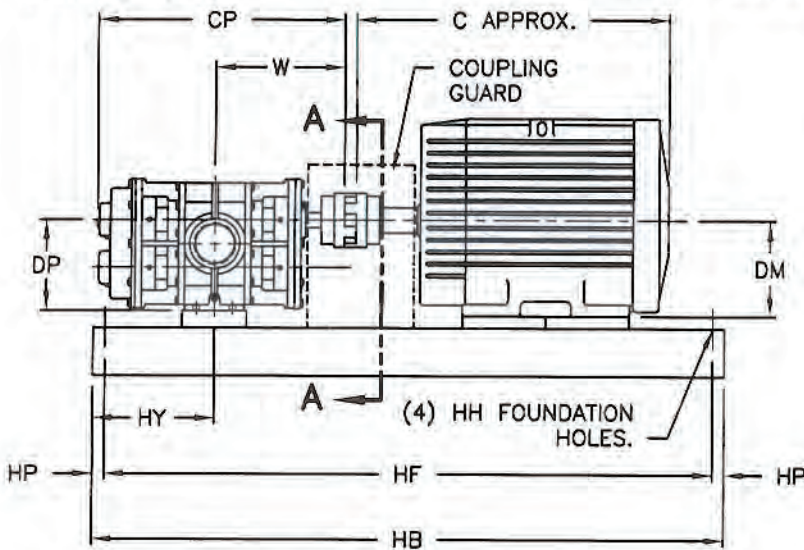
MODEL	DISCHARGE	SUCTION	A	B	CP	DL	DP	E	G	H
300 (SEE NOTE 6)	3" F-NPT	3" F-NPT	9.00 (229)	4.88 (124)	20.53 (521)	3.60 (91)	7.61 (193)	3.75 (95)	.50 (13)	.53 (13)

MODEL	U									
	O	R	S	STANDARD	EXTRA HEAVY	V	W	X	YY	Z
300 (SEE NOTE 6)	11.25 (286)	1.50 (38)	2.00 (51)	1.25 (32)	1.50 (38)	3.25 (83)	10.75 (273)	4.94 (125)	4.94 (125)	2.00 (51)
				KEY	KEY					
				1/4x7/8 WOODRUFF	3/8x1.50 SQ KEY					

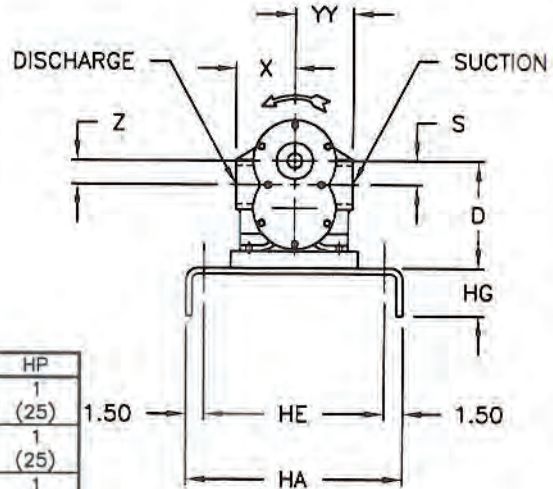
EDWARDS MODEL 300 PUMPS

DATED APRIL 2009
 SUPERSEDES PAGE 202
 DATED MAY 2005

ROTARY GEAR PUMPS
 ELECTRIC MOTOR DRIVEN ON STANDARD STEEL BASE
 UPPER DRIVE



VIEW A-A
 RIGHT HAND
 ROTATION



VIEW A-A
 LEFT HAND
 ROTATION

NOTES:

- All dimensions are in inches (mm).
- Dimensions may vary $\pm .25"$ (6).
- Not for construction purposes unless certified.
- Coupling gap may vary .13"(3) to 2.06"(52).
- Motor dimension "CP" is approximate. Motor dimensions are not specified as they vary with each motor manufacturer.
- Discharge and suction ports are:
 F-NPT (Female pipe threads)
- Use the following notation for pump identification:
 UR = UPPER SHAFT - RIGHT HAND ROTATION
 UL = UPPER SHAFT - LEFT HAND ROTATION
- ALL 300 MODELS EXCEPT MODEL 300-388.

BASE NO.	SIZE	HA	HB	HE	HF	HG	HH	HP
6	15 X 48	15 (381)	48 (1219)	12 (305)	46 (1168)	3.38 (86)	.75 (19)	1 (25)
8	18 X 54	18 (457)	54 (1372)	15 (381)	52 (1321)	4 (102)	.75 (19)	1 (25)
9	22 X 60	22 (559)	60 (1524)	19 (483)	58 (1473)	4 (102)	.75 (19)	1 (25)

MODEL	FRAME	254T	256T	284TS	284T	286TS	286T	324TS	324T	326TS	326T
	C	21 (533)	23 (584)	22 (559)	24 (610)	24 (610)	25 (635)	25 (635)	26 (660)	26 (660)	28 (711)
	DM	6.25 (159)	6.25 (159)	7.00 (178)	7.00 (178)	7.00 (178)	7.00 (178)	8.00 (203)	8.00 (203)	8.00 (203)	8.00 (203)
300	BASE NO.	6	6	6	6	6	6	8	8	8	8
(SEE NOTE 8)	D	8.00 (203)	8.00 (203)	8.00 (203)	8.00 (203)	8.00 (203)	8.00 (203)	8.00 (203)	8.00 (203)	8.00 (203)	8.00 (203)

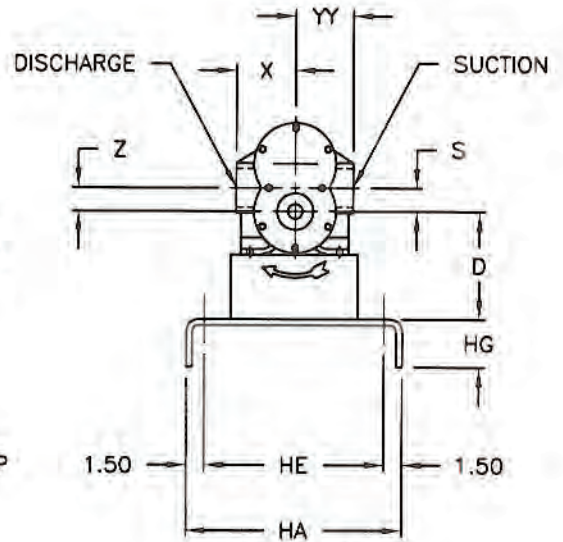
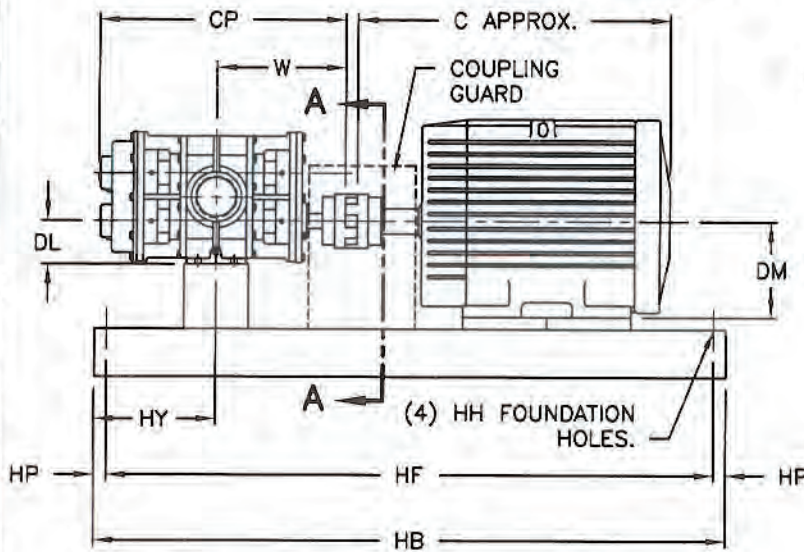
MODEL	FRAME	364TS	364T	365TS	365T	404TS	404T	405TS	405T
	C	27 (686)	29 (737)	28 (711)	30 (762)	30 (762)	33 (838)	33 (838)	33 (838)
	DM	9.00 (229)	9.00 (229)	9.00 (229)	9.00 (229)	10.00 (254)	10.00 (254)	10.00 (254)	10.00 (254)
300	BASE NO.	8	8	8	8	9	9	9	9
(SEE NOTE 8)	D	9.00 (229)	9.00 (229)	9.00 (229)	9.00 (229)	10.00 (254)	10.00 (254)	10.00 (254)	10.00 (254)

MODEL	DISCHARGE	SUCTION	CP	DP	HY	S	W	X	YY	Z
300	3"	3"	20.53	7.61	11.00	2.00	10.75	4.94	4.94	2.00
(SEE NOTE 8)	F-NPT	F-NPT	(521)	(193)	(279)	(51)	(273)	(125)	(125)	(51)

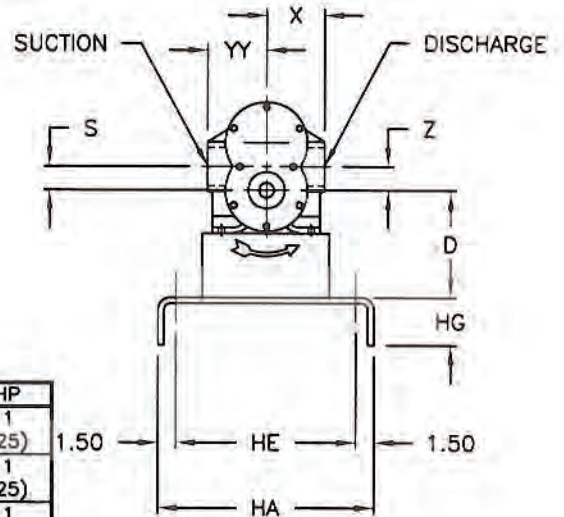
EDWARDS MODEL 300 PUMPS

ROTARY GEAR PUMPS
ELECTRIC MOTOR DRIVEN ON STANDARD STEEL BASE
LOWER DRIVE

DATED **APRIL 2009**
SUPERSEDES PAGE -
DATED -



VIEW A-A
RIGHT HAND
ROTATION



VIEW A-A
LEFT HAND
ROTATION

NOTES:

1. All dimensions are in inches (mm).
2. Dimensions may vary $\pm .25"$ (6).
3. Not for construction purposes unless certified.
4. Coupling gap may vary .13"(3) to 2.06"(52).
5. Motor dimension "CP" is approximate. Motor dimensions are not specified as they vary with each motor manufacturer.
6. Discharge and suction ports are:
F-NPT (Female pipe threads)
7. Use the following notation for pump identification:
LR = LOWER SHAFT - RIGHT HAND ROTATION
LL = LOWER SHAFT - LEFT HAND ROTATION
8. ALL 300 MODELS EXCEPT MODEL 300-388.

BASE NO.	SIZE	HA	HB	HE	HF	HG	HH	HP
6	15 X 48	15 (381)	48 (1219)	12 (305)	46 (1168)	3.38 (86)	.75 (19)	1 (25)
8	18 X 54	18 (457)	54 (1372)	15 (381)	52 (1321)	4 (102)	.75 (19)	1 (25)
9	22 X 60	22 (559)	60 (1524)	19 (483)	58 (1473)	4 (102)	.75 (19)	1 (25)

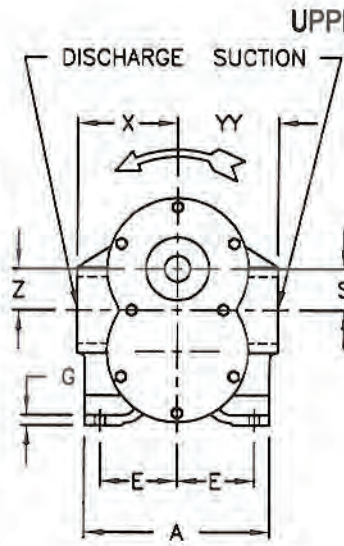
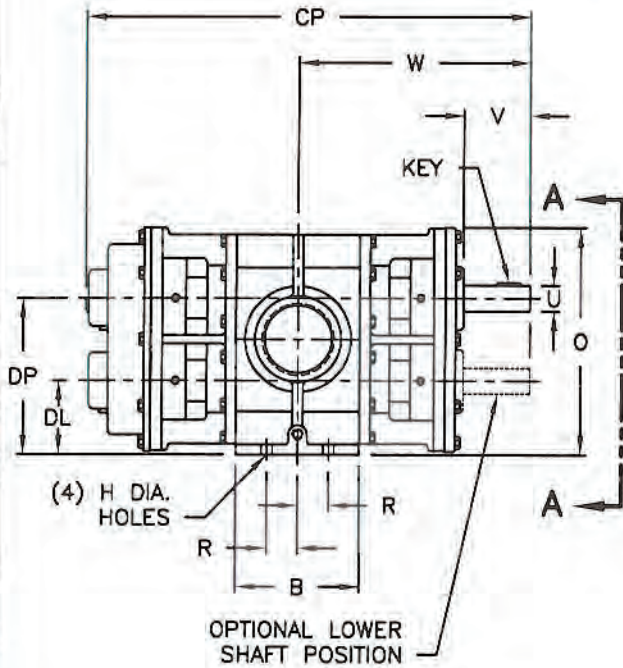
MODEL	FRAME	254T	256T	284TS	284T	286TS	286T	324TS	324T	326TS	326T
	C	21 (533)	23 (584)	22 (559)	24 (610)	24 (610)	25 (635)	25 (635)	26 (660)	26 (660)	28 (711)
	DM	6.25 (159)	6.25 (159)	7.00 (178)	7.00 (178)	7.00 (178)	7.00 (178)	8.00 (203)	8.00 (203)	8.00 (203)	8.00 (203)
300 (SEE NOTE 8)	BASE NO.	6	6	6	6	6	6	8	8	8	8
	D	6.25 (159)	6.25 (159)	7.00 (178)	7.00 (178)	7.00 (178)	7.00 (178)	8.00 (203)	8.00 (203)	8.00 (203)	8.00 (203)

MODEL	FRAME	364TS	364T	365TS	365T	404TS	404T	405TS	405T
	C	27 (686)	29 (737)	28 (711)	30 (762)	30 (762)	33 (838)	30 (762)	33 (838)
	DM	9.00 (229)	9.00 (229)	9.00 (229)	9.00 (229)	10.00 (254)	10.00 (254)	10.00 (254)	10.00 (254)
300 (SEE NOTE 8)	BASE NO.	8	8	8	8	9	9	9	9
	D	9.00 (229)	9.00 (229)	9.00 (229)	9.00 (229)	10.00 (254)	10.00 (254)	10.00 (254)	10.00 (254)

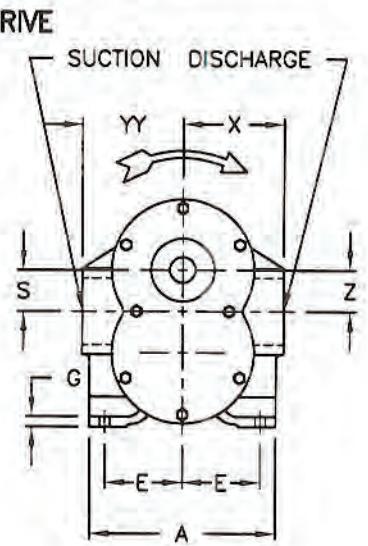
MODEL	DISCHARGE	SUCTION	CP	DL	HY	S	W	X	YY	Z
300 (SEE NOTE 8)	3" F-NPT	3" F-NPT	20.53 (521)	3.60 (91)	11.00 (279)	2.00 (51)	10.75 (273)	4.94 (125)	4.94 (125)	2.00 (51)

ROTARY GEAR PUMPS
PUMP ONLY

DATED APRIL 2009
SUPERSEDES PAGE 203
DATED MAY 2005



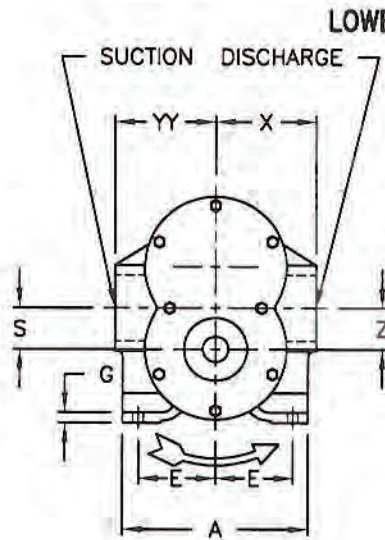
VIEW A-A
LEFT HAND
ROTATION



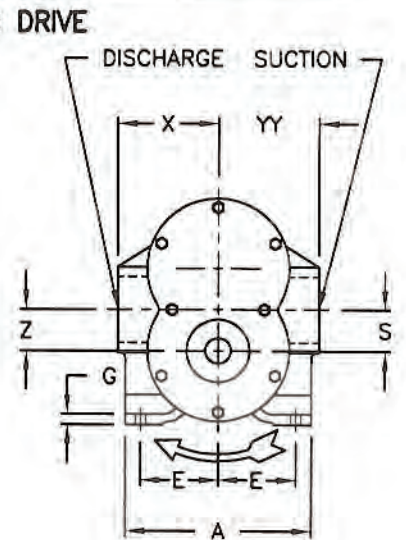
VIEW A-A
RIGHT HAND
ROTATION

NOTES:

- All dimensions are in inches (mm).
- Dimensions may vary $\pm .25"$ (6).
- Not for construction purposes unless certified.
- Discharge and suction ports are:
F-NPT (Female pipe threads)
- Use the following notation for pump identification:
UR = UPPER SHAFT - RIGHT HAND ROTATION
UL = UPPER SHAFT - LEFT HAND ROTATION
LR = LOWER SHAFT - RIGHT HAND ROTATION
LL = LOWER SHAFT - LEFT HAND ROTATION



VIEW A-A
LEFT HAND
ROTATION



VIEW A-A
RIGHT HAND
ROTATION

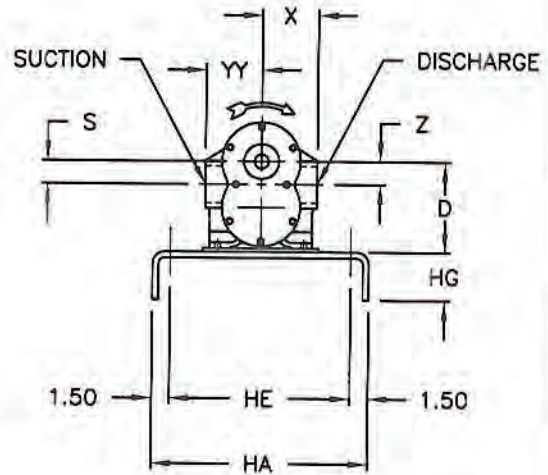
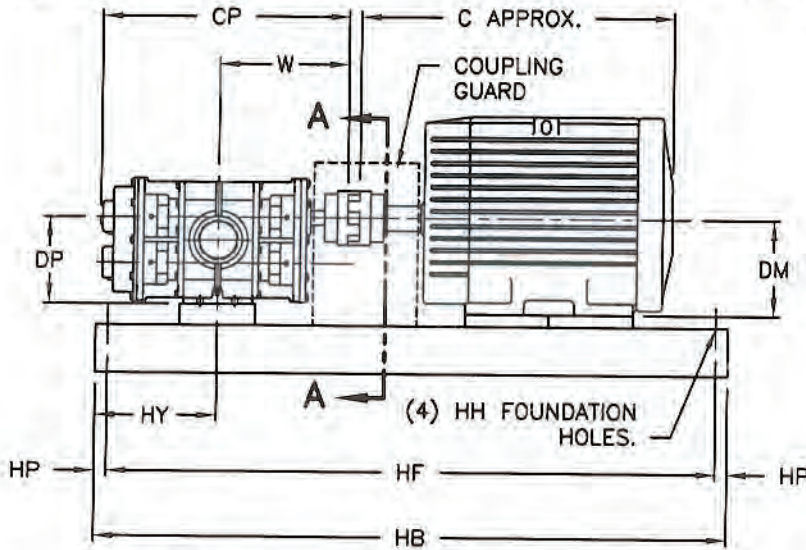
MODEL	DISCHARGE	SUCTION	A	B	CP	DL	DP	E	G	H
300-388	3" F-NPT	3" F-NPT	9.00 (229)	5.88 (149)	21.53 (547)	3.60 (91)	7.61 (193)	3.75 (95)	.50 (13)	.53 (13)

MODEL	O	R	S	U		V	W	X	YY	Z
				STANDARD	EXTRA HEAVY					
300-388	11.25 (286)	1.50 (38)	2.00 (51)	1.25 (32)	1.50 (38)	3.25 (83)	11.25 (286)	4.94 (125)	4.94 (125)	2.00 (51)
				KEY	KEY					
				1/4x7/8 WOODRUFF	3/8x1.50 SQ KEY					

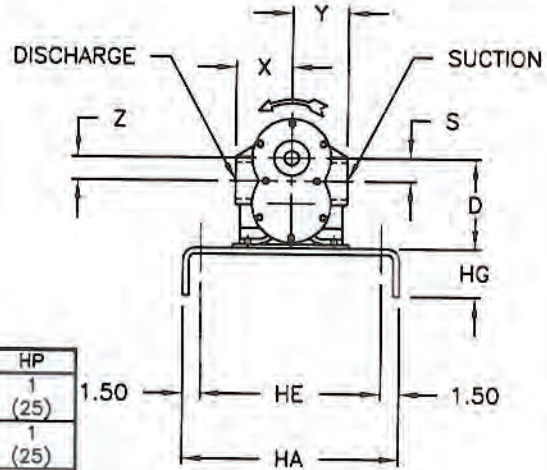
SECTION 300 PAGE 204 — EDWARDS MODEL 300-388 PUMPS

DATED APRIL 2009
 SUPERSEDES PAGE 204
 DATED MAY 2005

ROTARY GEAR PUMPS
 ELECTRIC MOTOR DRIVEN ON STANDARD STEEL BASE
 UPPER DRIVE



VIEW A-A
 RIGHT HAND
 ROTATION



VIEW A-A
 LEFT HAND
 ROTATION

- NOTES:
- All dimensions are in inches (mm).
 - Dimensions may vary $\pm .25"$ (6).
 - Not for construction purposes unless certified.
 - Coupling gap may vary $.13"$ (3) to $2.06"$ (52).
 - Motor dimension "CP" is approximate. Motor dimensions are not specified as they vary with each motor manufacturer.
 - Discharge and suction ports are:
 F-NPT (Female pipe threads)
 - Use the following notation for pump identification:
 UR = UPPER SHAFT - RIGHT HAND ROTATION
 UL = UPPER SHAFT - LEFT HAND ROTATION

BASE NO.	SIZE	HA	HB	HE	HF	HG	HH	HP
6	15 X 48	15 (381)	48 (1219)	12 (305)	46 (1168)	3.38 (86)	.75 (19)	1 (25)
8	18 X 54	18 (457)	54 (1372)	15 (381)	52 (1321)	4 (102)	.75 (19)	1 (25)
9	22 X 60	22 (559)	60 (1524)	19 (483)	58 (1473)	4 (102)	.75 (19)	1 (25)

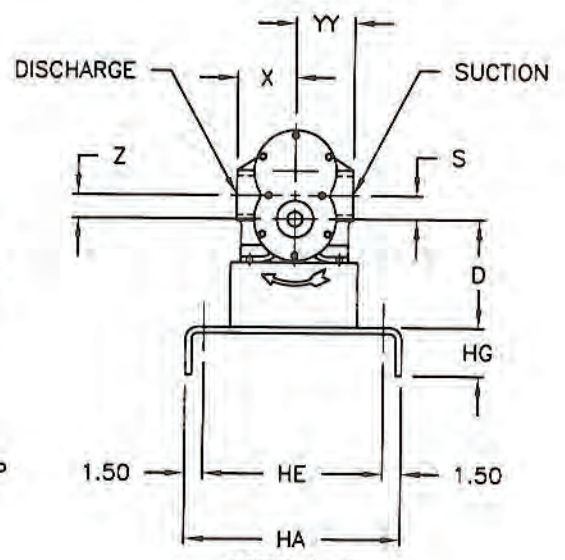
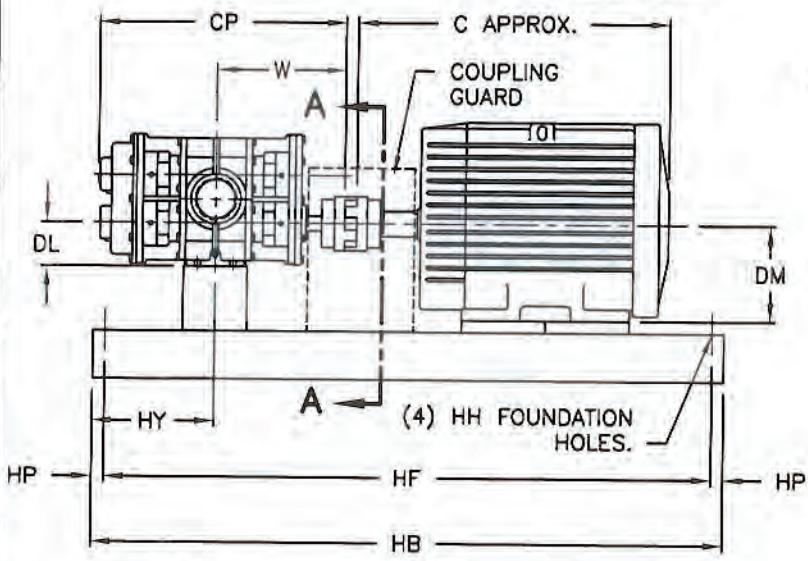
MODEL	FRAME	254T	256T	284TS	284T	286TS	286T	324TS	324T	326TS	326T
	C	21 (533)	23 (584)	22 (559)	24 (610)	24 (610)	25 (635)	25 (635)	26 (660)	26 (660)	28 (711)
DM	6.25 (159)	6.25 (159)	7.00 (178)	7.00 (178)	7.00 (178)	7.00 (178)	8.00 (203)	8.00 (203)	8.00 (203)	8.00 (203)	8.00 (203)
300-388	BASE NO.	6	6	6	6	6	6	8	8	8	8
	D	8.00 (203)	8.00 (203)	8.00 (203)	8.00 (203)	8.00 (203)	8.00 (203)	8.00 (203)	8.00 (203)	8.00 (203)	8.00 (203)

MODEL	FRAME	364TS	364T	365TS	365T	404TS	404T	405TS	405T
	C	27 (686)	29 (737)	28 (711)	30 (762)	30 (762)	33 (838)	33 (838)	30 (762)
DM	9.00 (229)	9.00 (229)	9.00 (229)	9.00 (229)	10.00 (254)	10.00 (254)	10.00 (254)	10.00 (254)	10.00 (254)
300-388	BASE NO.	8	8	8	8	9	9	9	9
	D	9.00 (229)	9.00 (229)	9.00 (229)	9.00 (229)	10.00 (254)	10.00 (254)	10.00 (254)	10.00 (254)

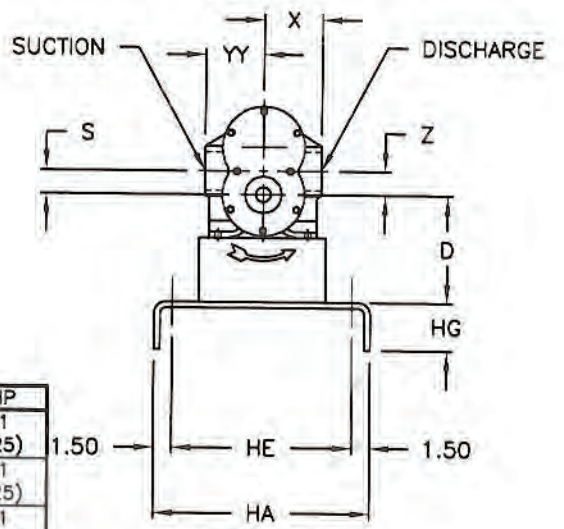
MODEL	DISCHARGE	SUCTION	CP	DP	HY	S	W	X	YY	Z
300-388	3" F-NPT	3" F-NPT	21.53 (547)	7.61 (193)	11.00 (279)	2.00 (51)	11.25 (286)	4.94 (125)	4.94 (125)	2.00 (51)

ROTARY GEAR PUMPS
ELECTRIC MOTOR DRIVEN ON STANDARD STEEL BASE
LOWER DRIVE

DATED **APRIL 2009**
SUPERSEDES PAGE -
DATED -



**VIEW A-A
RIGHT HAND
ROTATION**



**VIEW A-A
LEFT HAND
ROTATION**

- NOTES:
- All dimensions are in inches (mm).
 - Dimensions may vary $\pm .25"$ (6).
 - Not for construction purposes unless certified.
 - Coupling gap may vary .13"(3) to 2.06"(52).
 - Motor dimension "CP" is approximate. Motor dimensions are not specified as they vary with each motor manufacturer.
 - Discharge and suction ports are:
F-NPT (Female pipe threads)
 - Use the following notation for pump identification:
LR = LOWER SHAFT - RIGHT HAND ROTATION
LL = LOWER SHAFT - LEFT HAND ROTATION

BASE NO.	SIZE	HA	HB	HE	HF	HG	HH	HP
6	15 X 48	15 (381)	48 (1219)	12 (305)	46 (1168)	3.38 (86)	.75 (19)	1 (25)
8	18 X 54	18 (457)	54 (1372)	15 (381)	52 (1321)	4 (102)	.75 (19)	1 (25)
9	22 X 60	22 (559)	60 (1524)	19 (483)	58 (1473)	4 (102)	.75 (19)	1 (25)

MODEL	FRAME	254T	256T	284TS	284T	286TS	286T	324TS	324T	326TS	326T
	C	21 (533)	23 (584)	22 (559)	24 (610)	24 (610)	25 (635)	25 (635)	25 (635)	26 (660)	26 (660)
	DM	6.25 (159)	6.25 (159)	7.00 (178)	7.00 (178)	7.00 (178)	7.00 (178)	8.00 (203)	8.00 (203)	8.00 (203)	8.00 (203)
300-388	BASE NO.	6	6	6	6	6	6	8	8	8	8
	D	6.25 (159)	6.25 (159)	7.00 (178)	7.00 (178)	7.00 (178)	7.00 (178)	8.00 (203)	8.00 (203)	8.00 (203)	8.00 (203)

MODEL	FRAME	364TS	364T	365TS	365T	404TS	404T	405TS	405T
	C	27 (686)	29 (737)	28 (711)	30 (762)	30 (762)	33 (838)	33 (838)	30 (762)
	DM	9.00 (229)	9.00 (229)	9.00 (229)	9.00 (229)	10.00 (254)	10.00 (254)	10.00 (254)	10.00 (254)
300-388	BASE NO.	8	8	8	8	9	9	9	9
	D	9.00 (229)	9.00 (229)	9.00 (229)	9.00 (229)	10.00 (254)	10.00 (254)	10.00 (254)	10.00 (254)

MODEL	DISCHARGE	SUCTION	CP	DL	HY	S	W	X	YY	Z
300-388	3" F-NPT	3" F-NPT	21.53 (547)	3.60 (91)	11.00 (279)	2.00 (51)	11.25 (288)	4.94 (125)	4.94 (125)	2.00 (51)